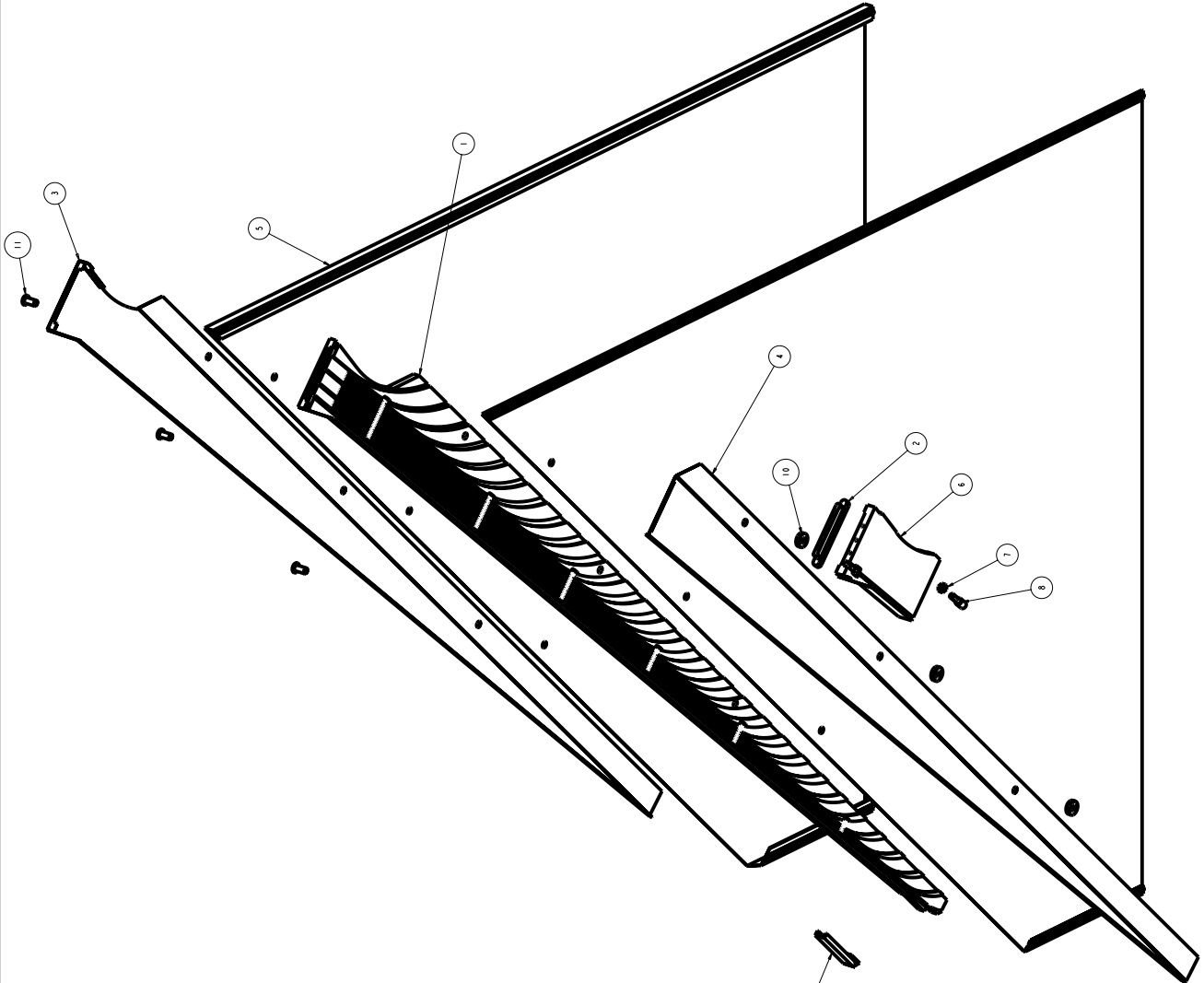


REV DESCRIPTION DATE



BILL OF MATERIALS		
ITEM NUMBER	DESCRIPTION	QTY
1	MANIFOLD ASSEMBLY	1
2	NOZZLE	1
3	VALVE	1
4	HANDLE	1
5	SCREW	1
6	WASHER	1
7	SPRING	1
8	PLATE	1
9	SCREW	1
10	SCREW	1
11	SCREW	1

TOLERANCES	ORIGINATOR	T. R. Chase	23-Mar-00
.X ±0.1	DRAWN BY	T. R. Chase	23-Mar-00
.XX ±0.01	CHECKED		
.XXX ±0.001	APPROVED		

ANGLES ±0.5 USED ON: 45 deg models, types A & B

Main Injector Neutrino Oscillation Search

UNIVERSITY OF MINNESOTA

Manifold Assembly, 45 Deg, Right Hand

DATE	23-Mar-00
BY	T. R. Chase
CHECKED	
APPROVED	
SCALE	1:1
PROJECT	MANIFOLD ASSEMBLY
DRAWING NO.	MANIFOLD ASSEMBLY
REV	1

1	MANIFOLD ASSEMBLY	23-Mar-00	T. R. Chase
2	NOZZLE	23-Mar-00	T. R. Chase
3	VALVE	23-Mar-00	T. R. Chase
4	HANDLE	23-Mar-00	T. R. Chase
5	SCREW	23-Mar-00	T. R. Chase
6	WASHER	23-Mar-00	T. R. Chase
7	SPRING	23-Mar-00	T. R. Chase
8	PLATE	23-Mar-00	T. R. Chase
9	SCREW	23-Mar-00	T. R. Chase
10	SCREW	23-Mar-00	T. R. Chase
11	SCREW	23-Mar-00	T. R. Chase